

Parts Manual Manuel de pièces

2024-11

Hurricane 450 XTT

Auto-Scrubber / Auto-récurveuse

Code: 19362



Serial Number / Numéro de série :

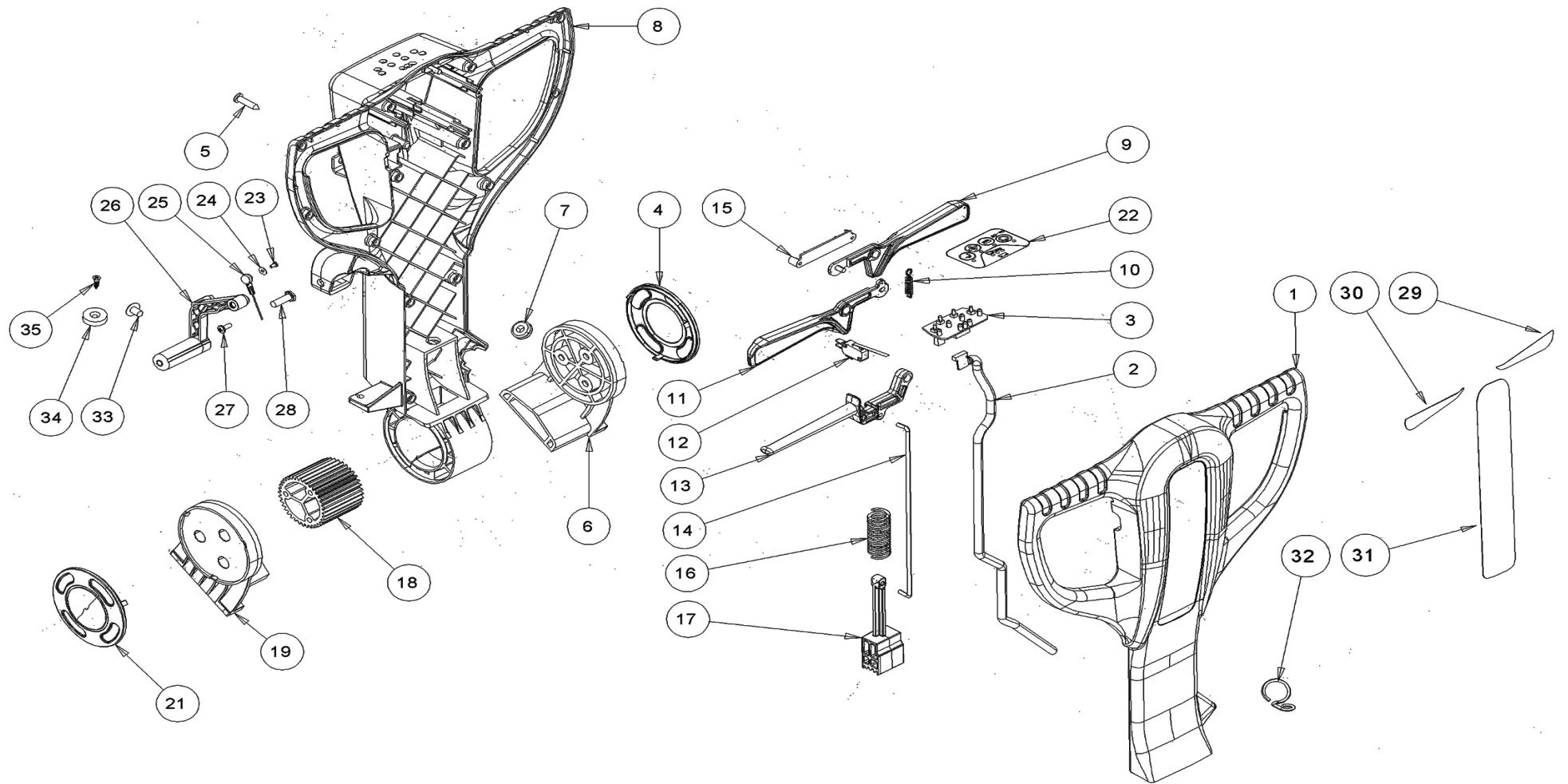
Date of Purchase / Date d'achat :

Distributor Name / Nom du distributeur :



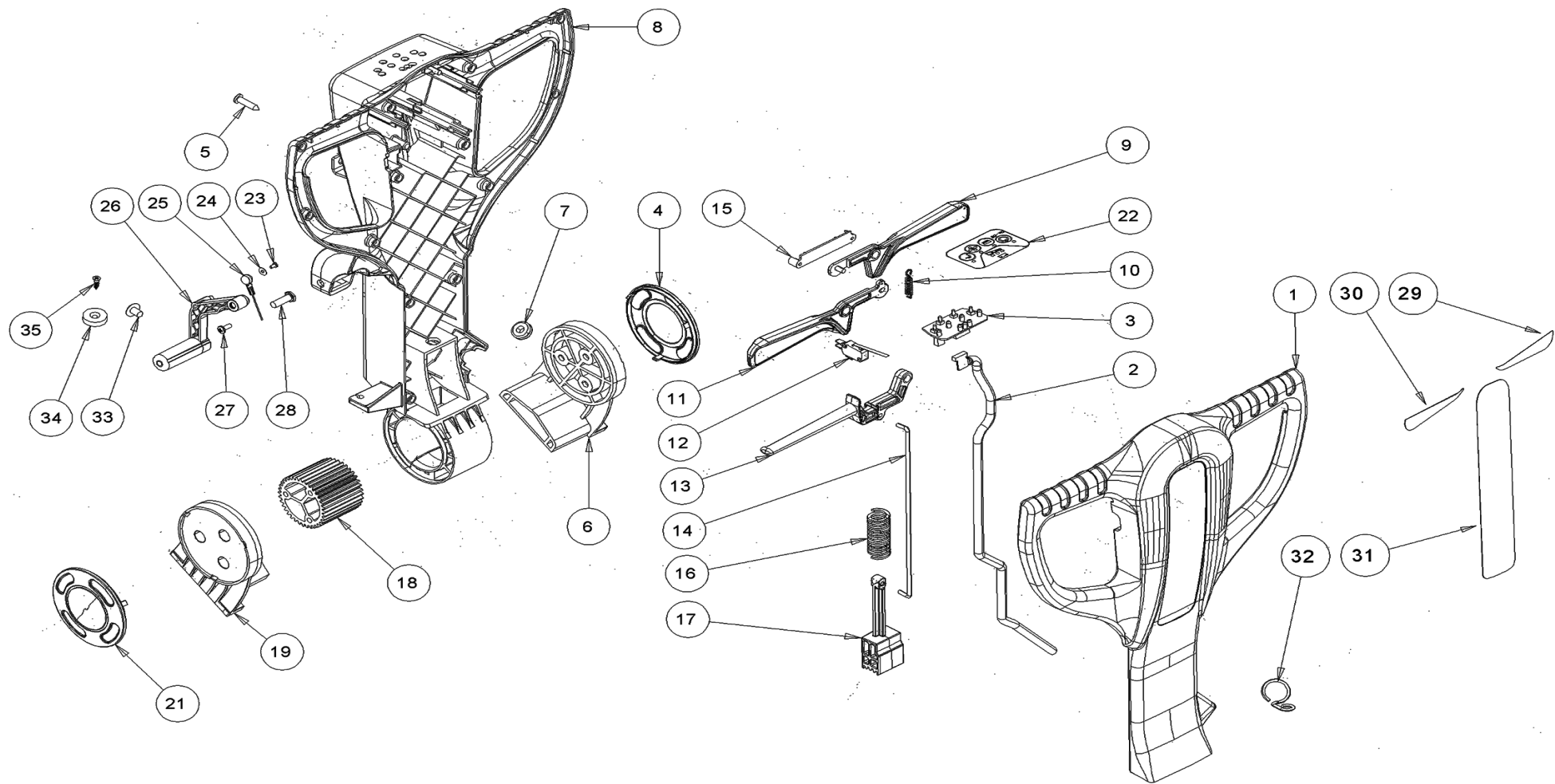
DUSTBANE
Give Meaning To Your Cleaning 

HANDLE



Ref.	Part N.	Alt. Part N.	Description	Quantity	Validity From	Validity To
1	3MPVR06046		UPPER HANDLE COVER FORMINI/MAXI/450	1		
2	3MECB01326	3KTRI04694	WIRING FLAT CABLE 450	1		20/09/2015
2	3MECB01257	3KTRI02362	CABLE RIBBON	1	9/21/2015	25/11/2015
2	3MECB01396	3KTRI02362	WIRING RIBBON ROUND FLAT	1	11/26/2015	
3	3MECE00579	3KTRI04750	BOARD LOGIC 24V	1		20/09/2015
3	3MECE00605	3KTRI04750	BOARD LOGIC 24V	1	9/21/2015	15/06/2016
3	3MECE00740	3KTRI04750	BOARD LOGIC CT MAXI/450XTT	1	16.06/2016	
4	3MPVR06055		HINGE COVER - MINI/MAXI/450	1		
5	3VTVT01371		SCREW 4.8X19	14		
6	3MPVR06054		SHELL LEFT SIDE	1		
7	3MPVR06057		GROMMET	1		
8	3MPVR06047		REAR HANDLE HALF MINI/MAXI/450	1		
9	3MPVR06048		LEVER LEFT SIDE	1		
10	3MLML00336		SPRING	1		
11	3MPVR06049		LEVER RIGHT SIDE	1		
12	3MECI36393		MICROSWITCH	1		
13	3MPVR06050		LEVER ADJUSTMENT	1		
14	3LAFN09221	3KTRI02273	LEVER ROD	1		
15	3MPVR06298		SUPPORT ELECTRONIC CARD	1		
16	3MLML00337		SPRING	1		
17	3MPVR06052		HANDLE SUPPORT	1		
18	3MPVR06056		GEAR	1		
19	3MPVR06053		SHELL RIGHT SIDE	1		
21	3MPVR06055		HINGE COVER MINI-MAXI-450	1		
22	3ETET01780		LABEL	1		20/09/2015
22	3ETET01842		LABEL DASHBOARD MINI-MAXI-450	1	9/21/2015	
23	3VTVT00800		SCREW SHCS 4X12 Zn	1	9/22/2014	
24	3VTRS00251		WASHER 4-16 A2	1	9/22/2014	
25	3CMCV00364		CABLE LIFT SQUEEGEE 450	1	9/22/2014	

HANDLE

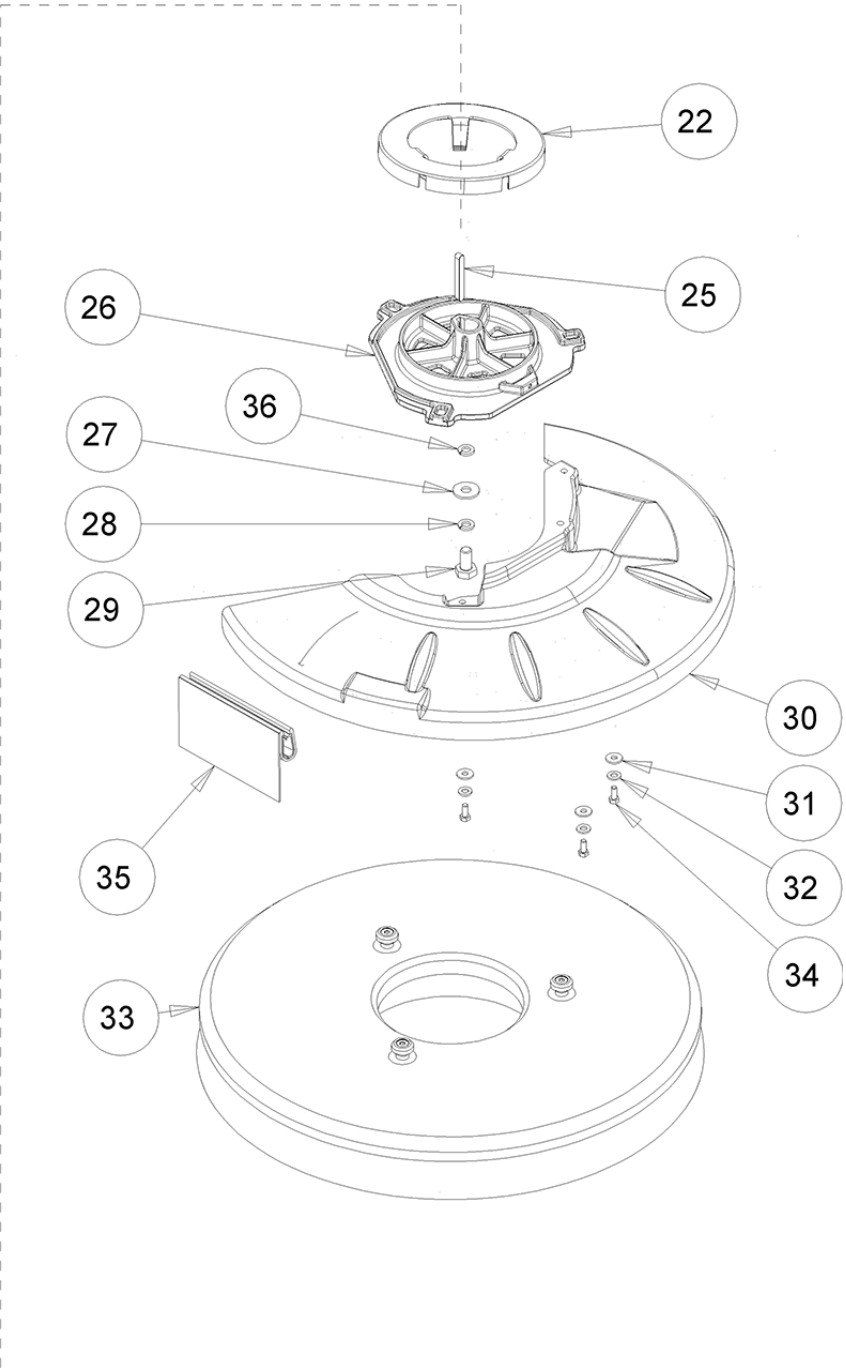
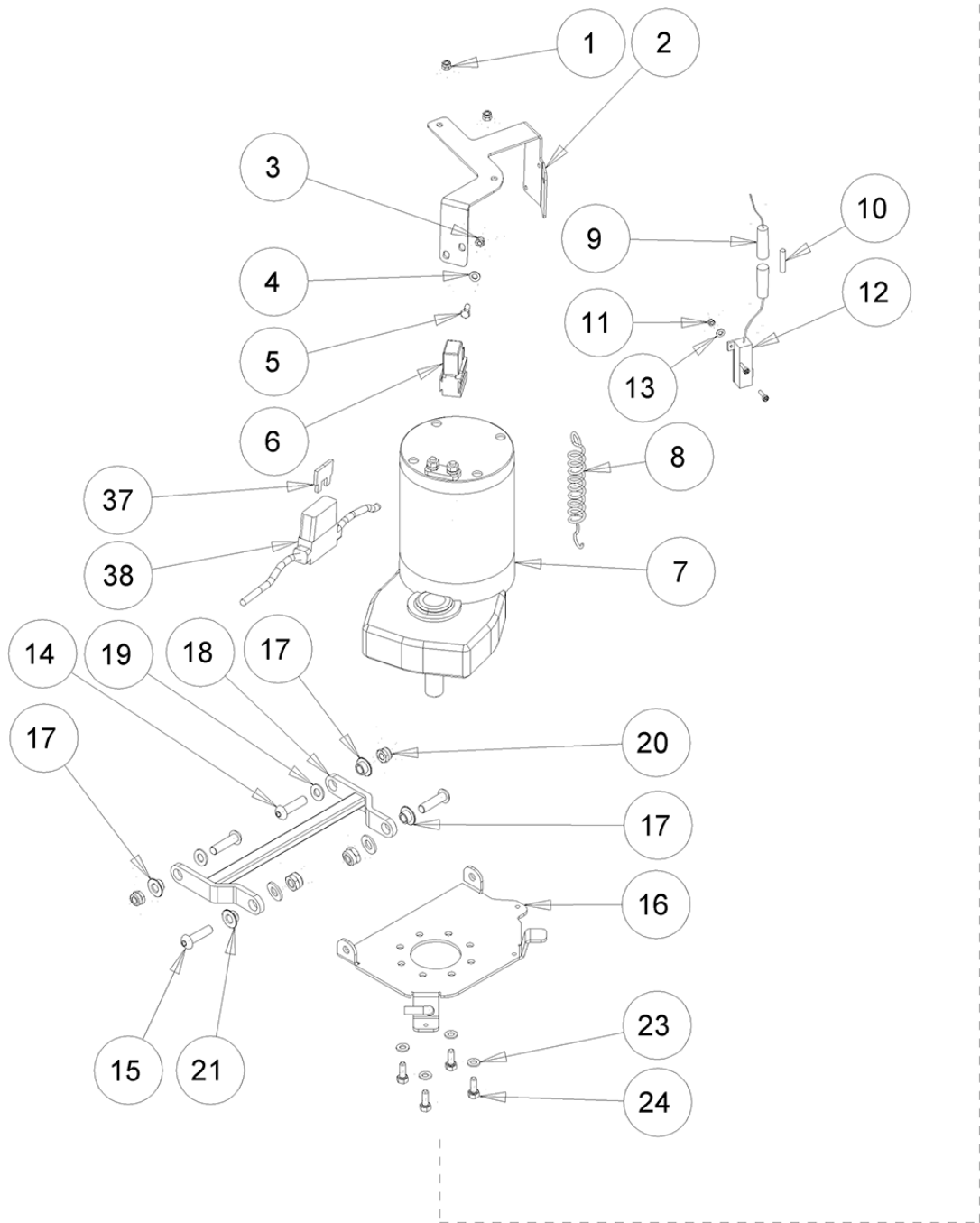


Ref.	Part N.	Alt. Part N.	Description	Quantity	Validity From	Validity To
26	3MPVR49942		LEVER SQUEEGEE LIFT	1	9/22/2014	
27	3VTVT00796		SCREW SHCS 6X12	1	9/22/2014	
28	3LAFN09248		PIN	1	9/22/2014	
29	3ETET01775		LABEL BLUE	1		
30	3ETET01775		LABEL BLUE	1		
31	3ETET01774		LABEL BLUE	1		
32	3LAFN11049		HOOK	1	4/15/2016	
33	3VTVT01485		SCREW 4,8X9,5 Zn	1	6/10/2019	
34	3MEVR02573		MAGNET ND D.16 F.3,5 H=5,0	1	6/10/2019	
35	3VTVT01594		SCREW CSK 3x12	1	6/10/2019	

KITS

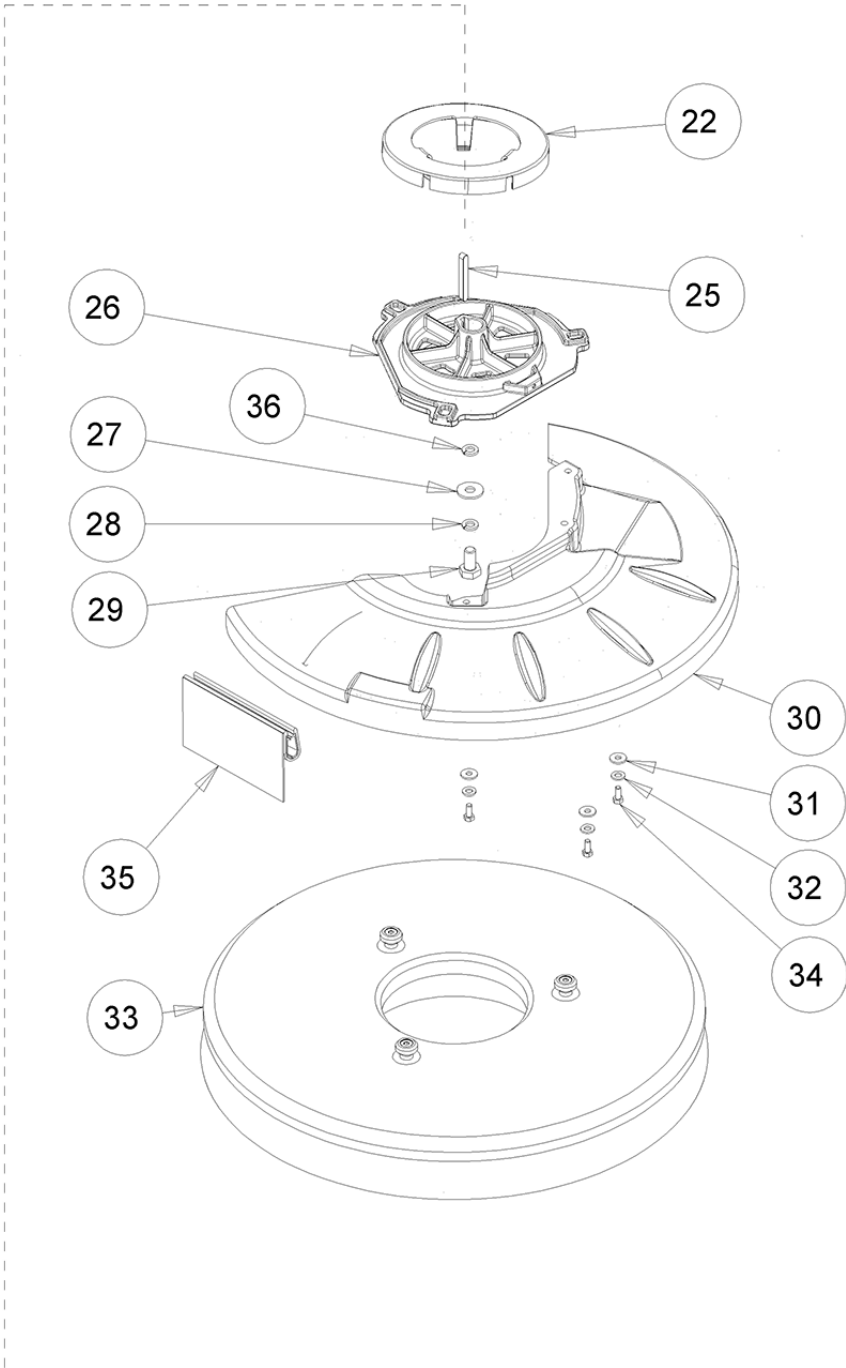
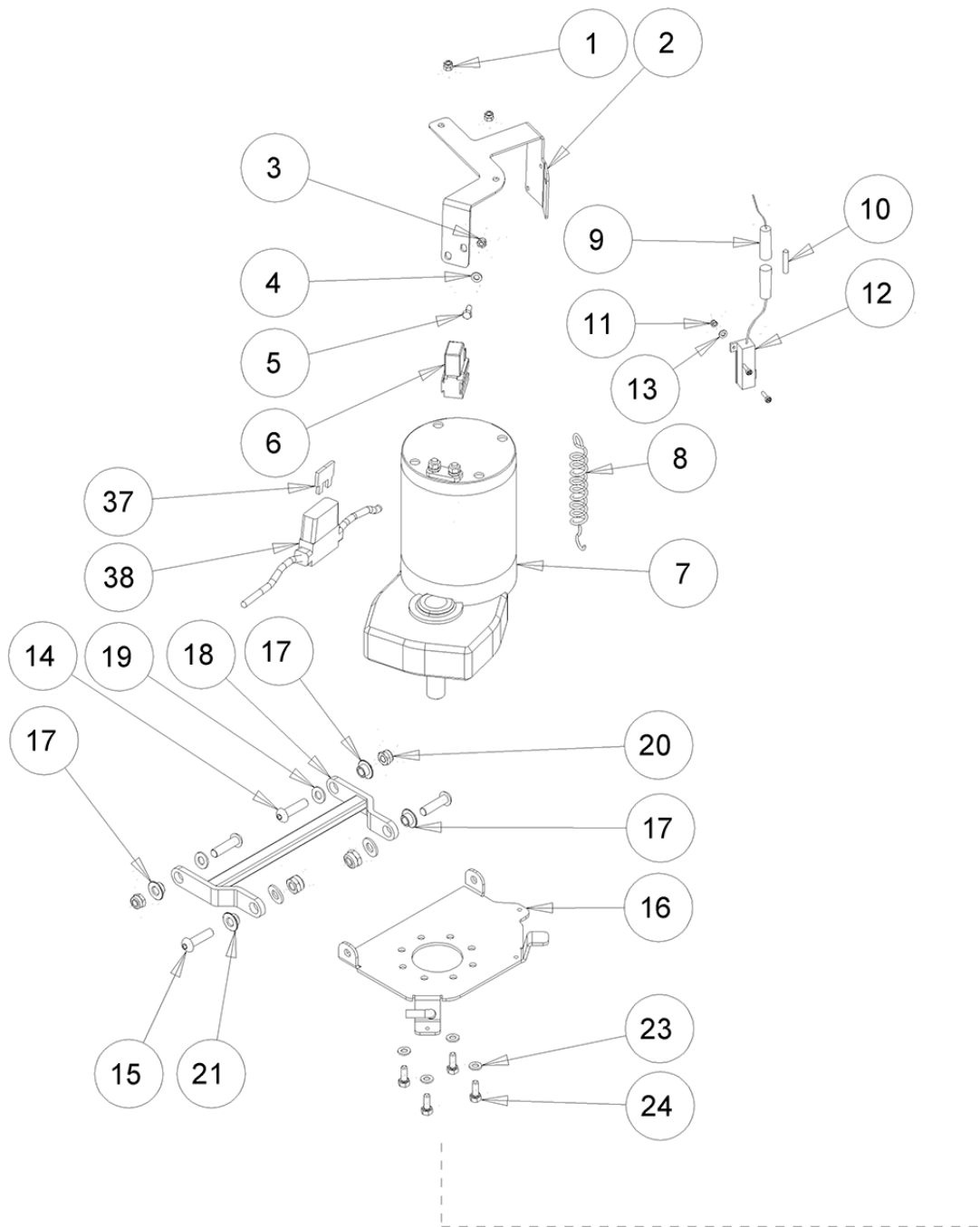
Ref.	Part N.	Alt. Part N.	Description	Quantity	Validity From	Validity To
2, 7, (#16 FROM FRAME)	3KTTRI02362		RIBBON CABLE KIT MINI-MAXI-450			
13,14	3KTTRI02273		LEVER ROD KIT			

BRUSH



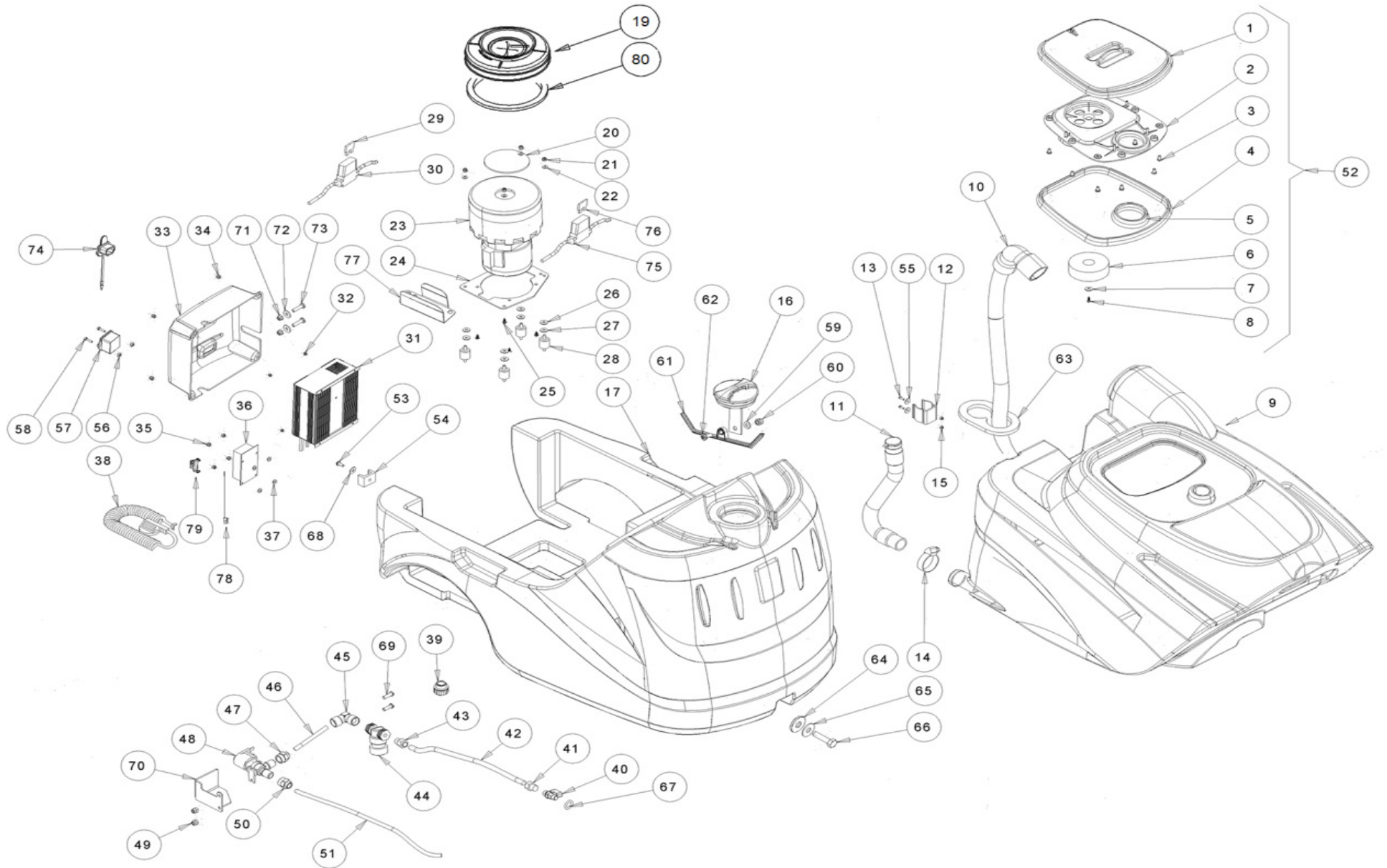
Ref.	Part N.	Alt. Part N.	Description	Quantity	Validity From	Validity To
1	3VTDD00128		NUT M5	2		
2	3LAFN08083		BRACKET	1		
3	3VTDD01693		NUT M5 SS	1		20/09/2015
4	3VTRS13750		WASHER D.5X14 SS	1		20/09/2015
5	3VTVT34115		SCREW HH M5X10 UNI 5739	1		20/09/2015
6	3MECI00005		RELAY 24V 10/20A	1		20/09/2015
7	3MOCC00426		MOTOR 24V 20A 400W IP44	1		
7	3MEVR02828		THERMAL MOCC00426	1		
7	3MEVR34441		BRUSH CARBON CC7X14X19 200/400W	4		
8	3MLML00065		SPRING L0=80 De=12 Df=1.7	1		29/10/2013
8	3MLML00340		SPRING	1	10/30/2013	
9	3MEVR00080		FUSE-HOLDER 10A	1		20/09/2015
10	3MEVR01747		FUSE 6X32 3A	1		20/09/2015
11	3VTDD21115		NUT M3 SS	2		20/09/2015
12	3MEVR02066		RESISTOR 3,3ohm 50W	1		20/09/2015
13	3VTRS27296		WASHER SPLIT	2		20/09/2015
14	3VTVT01378		SCREW BHCCS M8X35	2		
15	3VTVT01195		SCREW BHSCS M 8X 25 ISO 7380 IX	2		
16	3LAFN08104		SUPPORT	1		
17	3LAFN06391		BUSHING BRUSH DECK SUPPORT	3		
18	3LAFN07910		BRACKET	1		
19	3VTRS13947		WASHER D.8 SS UNI 6592	4		
20	3VTDD01695		NUT M8 SS	4		
21	3LAFN51068		BUSHING	1		
22	3MPVR06045		CONVEYOR	1		16/09/2017
23	3VTRS15144		WASHER D.6 SS SPLIT UNI 1751	4		
24	3VTVT15906		SCREW HH 6X12 A2 UNI 5739	4		
25	3VTVR16617		KEY 6X 6X30 UNI 6604	1		
26	3MFVR00242		DRIVE DISK ALUMINIUM	1		

BRUSH



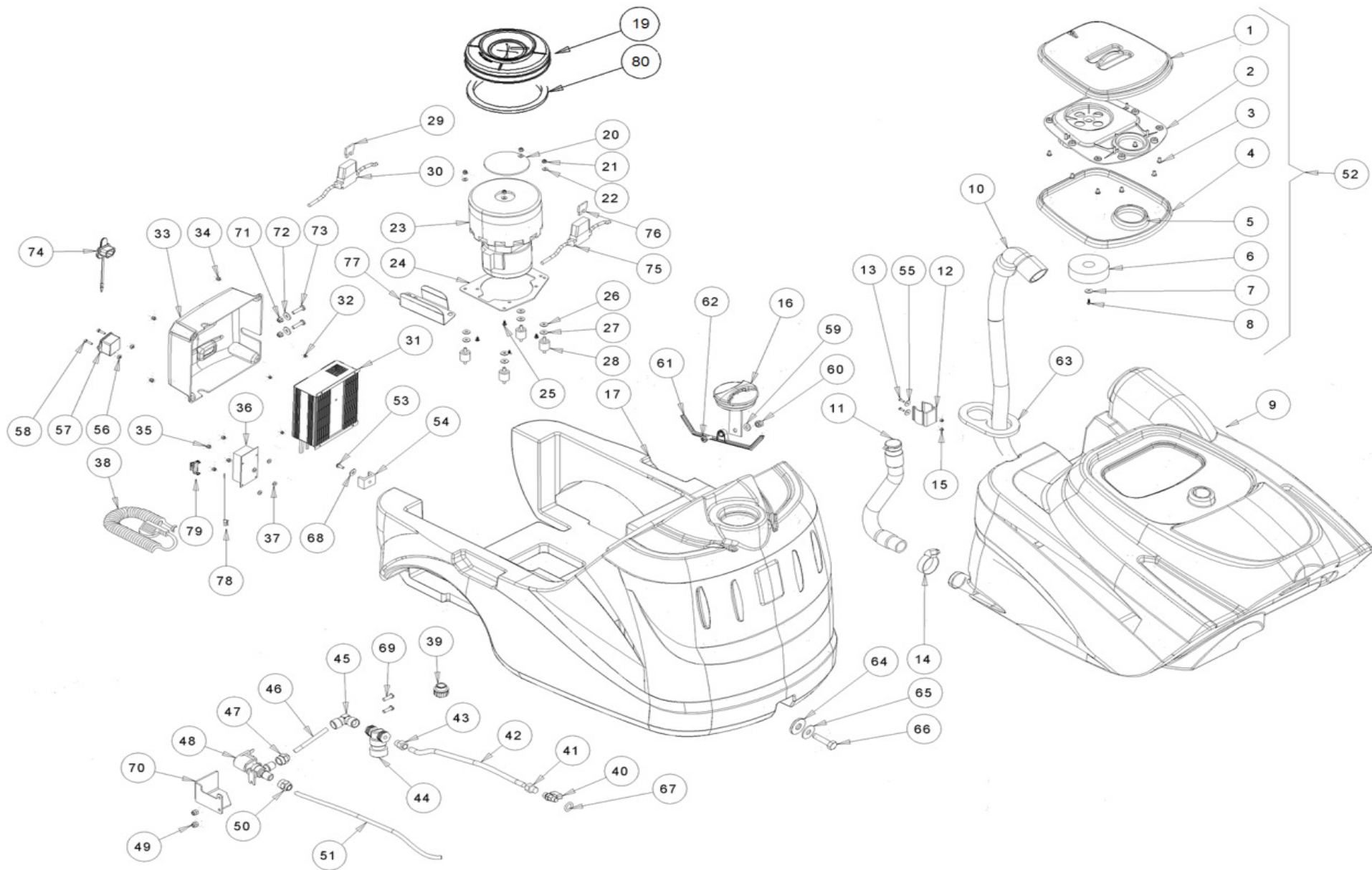
Ref.	Part N.	Alt. Part N.	Description	Quantity	Validity From	Validity To
27	3VTRS13946		WASHER D.8 X24 SS UNI 6593	1		
28	3VTRS15146		WASHER SPLIT A2 UNI1751	1		
29	3VTVT13938		SCREW HH 8X20 UNI5739 SS	1		
30	3MPVR06243		COVER 450	1		
31	3VTRS13750		WASHER D. 5X14 SS	3		
32	3VTRS15908		WASHER D. 5 SS SPLIT UNI 1751	3		
33	3SPPV01332		BRUSH D.500 MEDIUM NYLON	1		
33	3SPPV01492		TYNEX BRUSH (ABRASIVE)	1		
33	3SPPV01495		SOFT NATURAL BRISTLE BRUSH	1		
33	3SPPV01335		PAD DRIVER FOR 450	1		
33	3SPPV00489		FLANGE - CENTER LOCK (FOR PAD DRIVER)	1		
33	3MPVR04088		CENTER LOCK SCREW PLASTIC FOR PAD DRIVER	1		
34	3VTVT01300		SCREW HH M5X12 SS	3		
35	3MPVR06072		BRUSH SKIRT FOR 450	1		
36	3VTRS13947		WASHER D. 8 SS UNI 6592	1	11/19/2014	
37	3MEVR01136		FUSE 30A	1		
38	3MECB01384		WIRING	1		

TANK



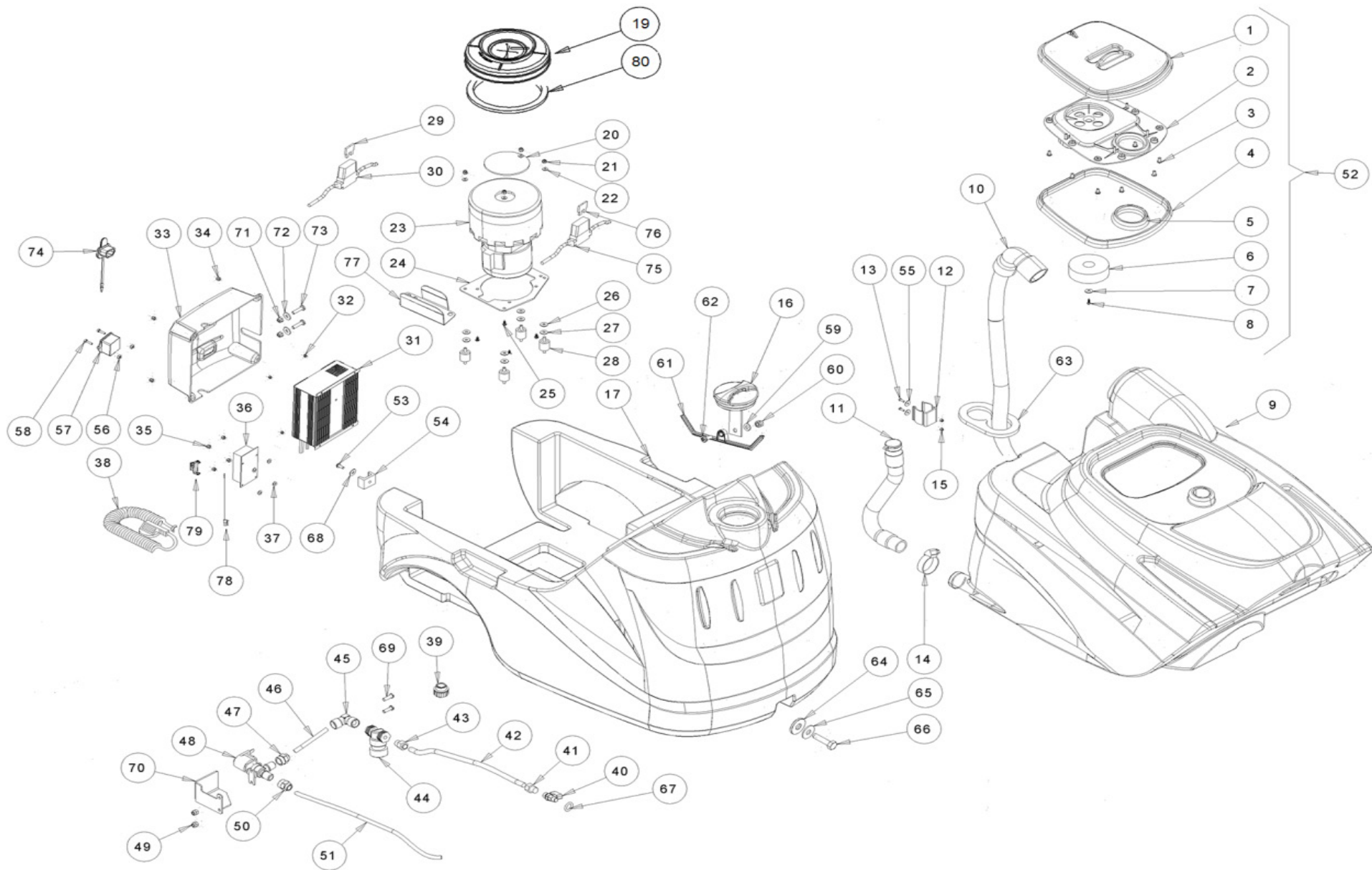
Ref.	Part N.	Alt. Part N.	Description	Quantity	Validity From	Validity To
1	3MPVR05825		COVER, OUTSIDE RECOVERY TANK	1		
2	3MPVR05826		COVER, INSIDE RECOVERY TANK	1		
3	3VTVT01694		SCREW Ph Dr T/S 5X10 UNI 9707	8		
4	3GUVR00306		GASKET RECOVERY TANK LID	1		
5	3GUVR00307		GASKET	1		
6	3MPVR05836		FLOATER RECOVERY TANK LID	1		
7	3VTRS00573		WASHER 30x6x3	1		
8	3VTVT48694		SCREW Ph Dr T/S 5 X12 UNI 9707	1		
9	3MPVR06309		RECOVERY TANK BLUE FOR 450	1		
10	3KTRIO4698		SQUEEGEE HOSE KIT REPLACEMENT HURR. 450	1		
11	3TBFX00350		DRAIN HOSE FOR MAXI/450	1		
12	3MPVR46988		CLIP DRAIN HOSE	1		
13	3VTVT29884		SCREW HH UNI 5739 4X16 Zn	2		
14	3FSVR00002		CLAMP EKOFLEX 9 23-35	1		14/12/2014
14	3FSVR00095		CLAMP	1	12/15/2014	
15	3VTDD04369		NUT M4 NYL UNI 7473	2		
16	3MPVR05188		CAP SOLUTION TANK	1		
17	3MPVR06308		SOLUTION TANK BLUE FOR 450	1		
19	3GUGO00444	3KTRIO5948	GASKET	1		03/10/2016
19	3GUGO00498	3KTRIO5948	GASKET	1	10/4/2016	3/12/2019
19	3GUGO00599	3KTRIO5948	NEW VACUUM GASKET	1	3/12/2019	
20	3LAFN05830		FILTER METAL SCREEN SS VAC MOTOR	1		
21	3VTDD07727		NUT M5 SS	4		
22	3VTRS15908		WASHER D. 5 SS SPRING UNI 1751	4		
23	3MEVR05200		CARBON BRUSH MOTOR ASP AMETEK 116599-13	2		
23	3MOCC00397		MOTOR VACUUM MINI-MAXI-450	1		
24	3LAFN08894		PLATE VACUUM FOR MINI-MAXI-450	1		
25	3VTVT48694		SCREW Ph Dr T/S 5X12 UNI 9707	4		
26	3VTRS13750		WASHER D.5X14 SS	4		

TANK



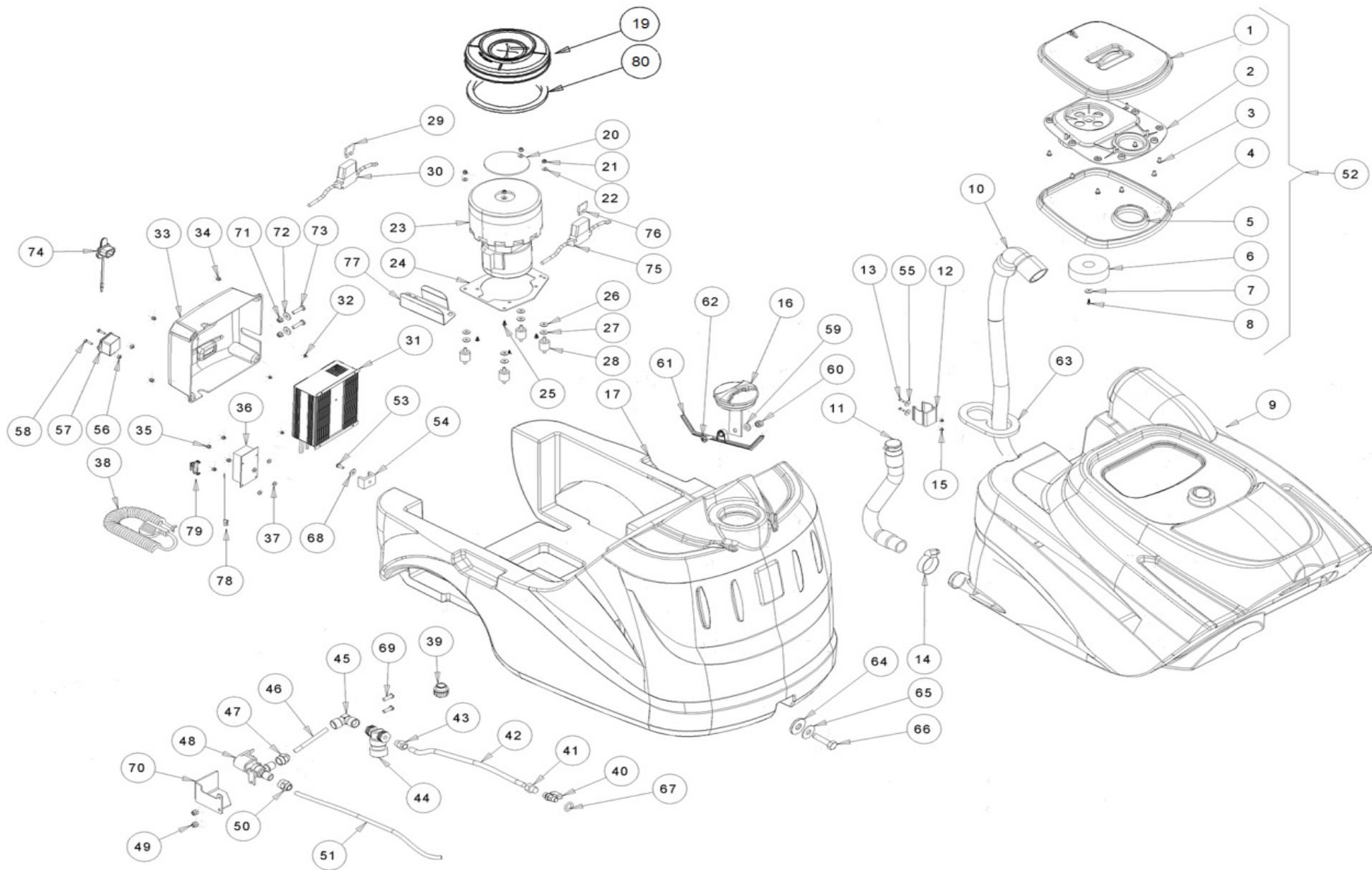
Ref.	Part N.	Alt. Part N.	Description	Quantity	Validity From	Validity To
27	3VTRS13750		WASHER D.5X14 SS	4		
28	3ABGO00052		VIBRATION DAMPNER	4		
29	3MEVR02048		FUSE 40A	1		
30	3MECB01286		WIRING FUSE HOLDER BATTERY	1		
31	3BACA00156	3KTRIO2245	BATTERY-CHARGER 24V 10A	1		05/05/2015
31	3BACA00166	3KTRIO2245	BATTERY-CHARGER 24V 10A	1	5/6/2015	
32	3VTDD00001		NUT UNI 5588 M3 Zn	4		
33	3MPVR06234		CHARGER COVER FOR MAXI-450	1		
34	3VTDD04368		NUT M4 Zn UNI 5588	4		
35	3VTDD04368		NUT M 4 Zn UNI 5588	4		
36	3MECE00578	3KTRIO4750	BOARD POWER	1		20/09/2015
36	3MECE00606	3KTRIO4750	BOARD POWER	1	9/21/2015	05/04/2016
36	3MECE00741	3KTRIO4750	BOARD POWER	1	4/6/2016	13/07/2016
36	3MECE00742	3KTRIO4750	BOARD POWER	1	7/14/2016	12/11/2018
36	3MECE00808	3KTRIO4750	BOARD POWER	1	11/13/2018	
37	3VTRS00377		WASHER M4	4		
38	3MECB00923		CHARGER CORD ONBOARD	1		
39	3MPVR08003		MALE SOLUTION DRAIN CAP	1		01/11/2016
39	3MPVR10774		CAP 1/2"	1	11/2/2016	
40	3RCGR00082		VALVE	1		
41	3RCVR00784		CONNECTOR	1		
42	3TBBP00511		TUBE	0.33		
43	3RCVR00784	3RCVR00807	CONNECTOR	1		09/04/2015
43	3RCVR00789	3RCVR00807	CONNECTOR	1	4/10/2015	28/05/2015
43	3RCVR00807		CONNECTOR 10 1/4	1	5/29/2015	
44	3FTAC00075		FILTER COMPLETE ASSEMBLY	1		
44	3MPVR07071		FILTER ONLY FOR 3FTAC00075	1		
44	3MPVR11952		FILTER CAP FOR 3FTAC00075	1		
44	3MPVR11949		FILTER HOUSING FOR 3FTAC00075	1		

TANK



Ref.	Part N.	Alt. Part N.	Description	Quantity	Validity From	Validity To
44	3GUGO00446		O RING FOR 3FTAC00075	1		
45	3RCVR00773		CONNECTOR 1/4	1		
46	3TBBP00481		TUBE	0.20		
47	3RCVR00772		SOLENOID VALVE CONNECTOR 1/4	1		
48	3KTRIO2139		SOLENOID VALVE FOR 450	1		
49	3VTDD00055		NUT M4 ATB A2	2	5/14/2013	
49	3VTVT48694		SCREW Ph Dr T/S 5 X12 UNI 9707 TZ	2		13/05/2013
50	3RCVR00772		SOLENOID VALVE CONNECTOR 1/4	1		
51	3TBBP00481		TUBE	0.48		
52	3KTRIO1989		KIT - RECOVERY LID	1		
53	3VTVT00311		SCREW HH M4X12	1		
54	3FSVR00243		BASE CABLE TIE, PLASTIC	1		
55	3VTRS05904		WASHER UNI 6592 4X16 Zn	2		
56	3VTDD00001		NUT UNI 5588 M3 Zn	2		
57	3MEVR02074		PLUG	1		
58	3VTVT00035		SCREW M3X8 HS-CSK Zn	2		
59	3VTRS00515		WASHER D.4 SS	1		
60	3VTDD00055		NUT M4 ATB A2	1		
61	3MPVR08038		PLATE	1		
62	3VTVT15965		SCREW Ph Dr T/S 4X12 UNI7687 SS	1		
63	3MPVR04659		FLANGE	1		
64	3VTRS16937		WASHER 6x24 SS UNI 6593	1		
65	3VTRS13750		WASHER D.5X14 SS	1		
66	3VTVT01376		SCREW HH M 5X 35 UNI 5739	1		
67	3GUGO31088		O-RING D. 12 X 2.50 NBR	1		
68	3VTRS00501		WASHER D.4 0.232 UNI 6592	1		
69	3VTVT15924		SCREW 4X16 SS	2	5/14/2013	
70	3LAFN07948		SOLENOID VALVE PROTECTION FOR MAXI-450	1	5/14/2013	
71	3VTDD15925		NUT M4 SS	2	12/16/2014	

TANK

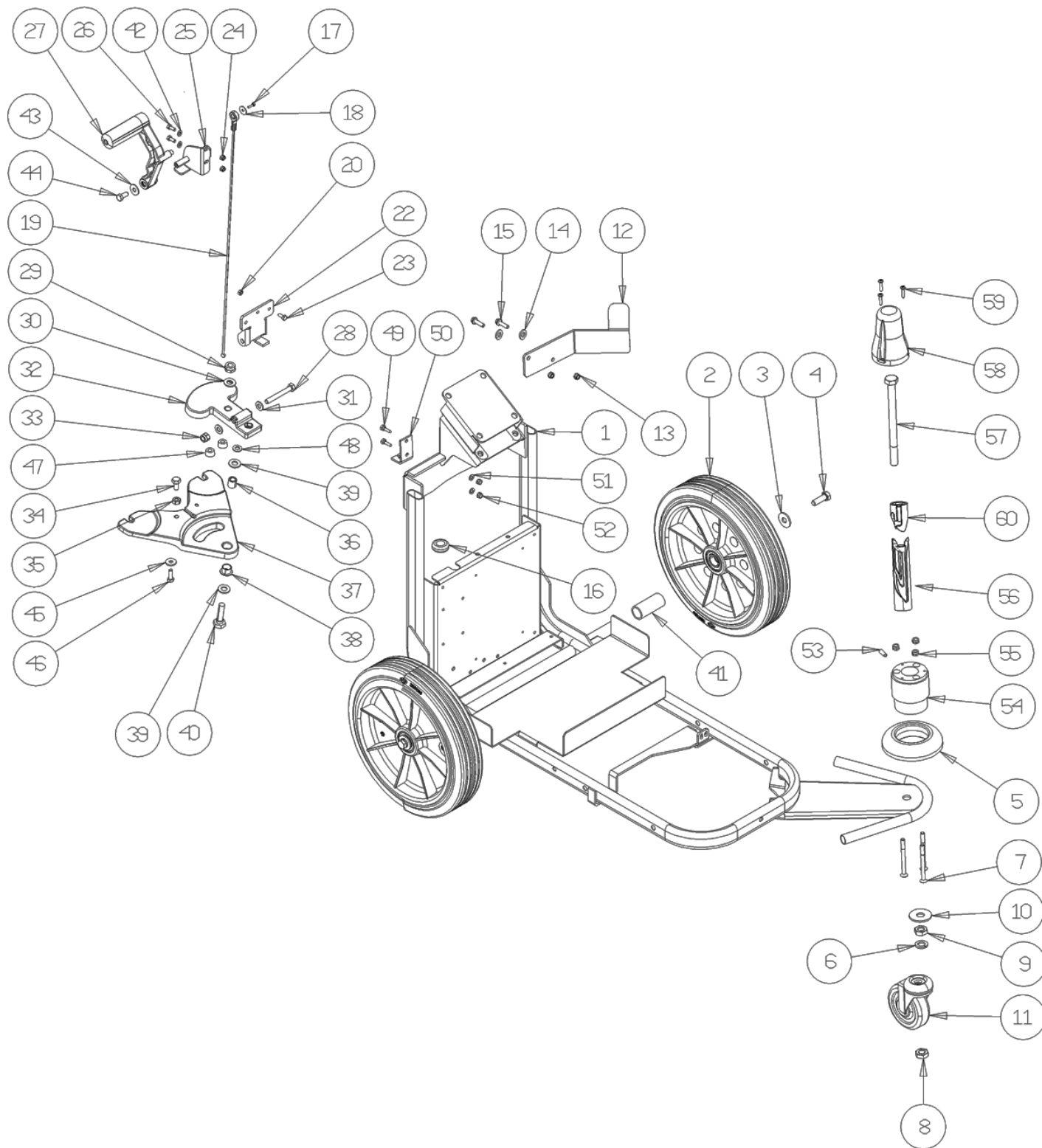


Ref.	Part N.	Alt. Part N.	Description	Quantity	Validity From	Validity To
72	3VTRS00515		WASHER D.4 SS	2	12/16/2014	
73	3VTVT15965		SCREW Ph Dr T/S 4X12 UNI7687 SS	2	12/16/2014	
74	3MPVR10801		CAP	1	10/14/2016	
75	3MECB01384		BRUSH MOTOR WIRING FOR MAXI-450	1		
76	3MEVR00039		FUSE 20A	1		
77	3LAFN11082		BRACKET	1	1/16/2017	
78	3MECB01385		WIRING	1		
79	3MPVR12325		CLIP BLOCK FLAT	1	11/13/2018	
80	3FSVR00264		CLAMP	1	3/13/2019	

KITS

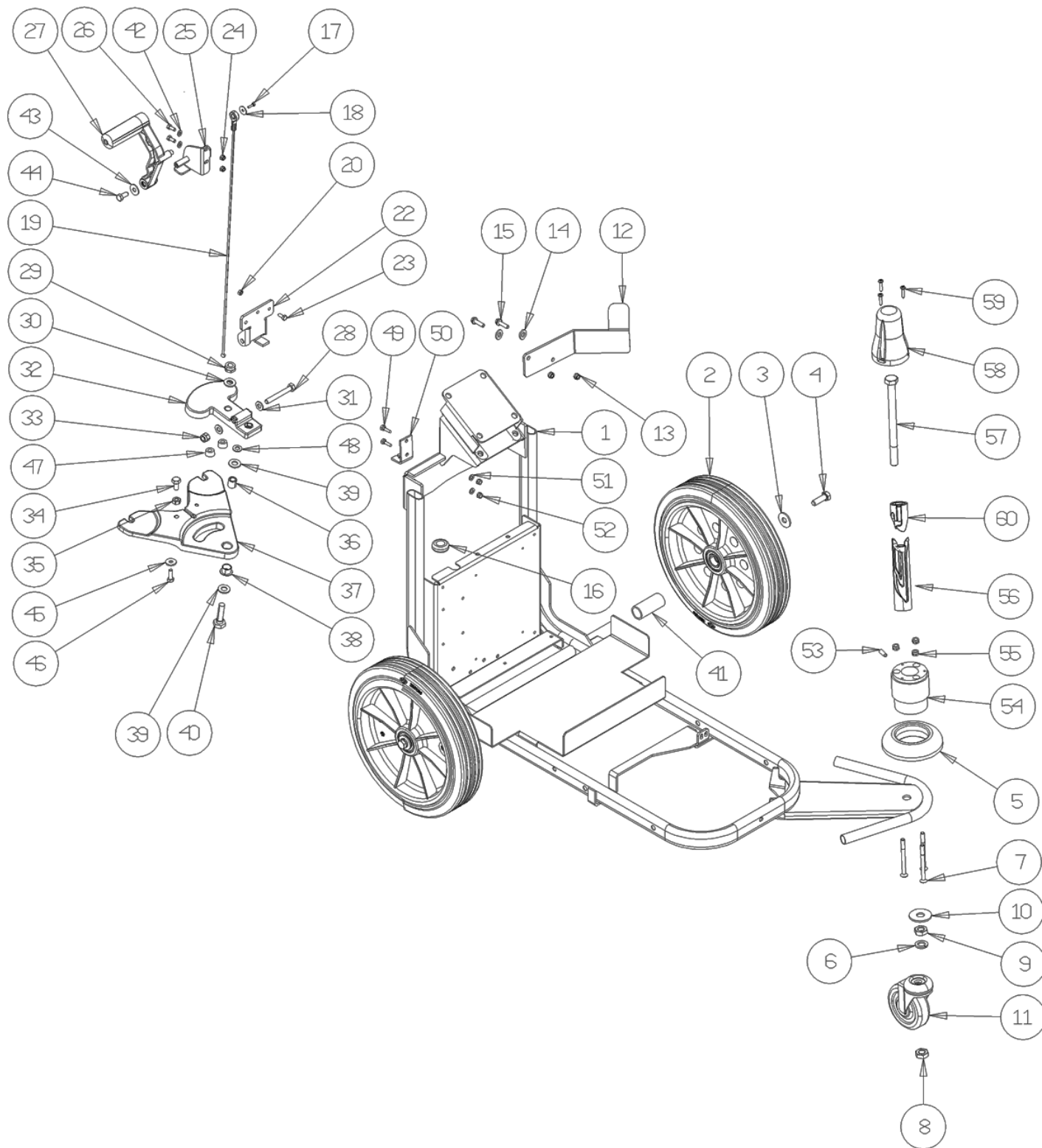
Ref.	Part N.	Alt. Part N.	Description	Quantity	Validity From	Validity To
1 to 8	3KTRI01989		KIT - RECOVERY LID			
31, 57	3KTRI02245		BATTERY-CHARGER 24V 10A - MAXI-450			
19, 80	3KTRI05948		KIT - VAC MOTOR GASKET, MINI/MAXI/450			
36, 79 (+#3 from Handle)	3KTRI04750		CIRCUIT BOARD KIT, POWER & BUTTON BOARD FOR MAXI/450			
BATTERIES NOT SHOWN	19404		12V - 75A AGM BATTERY FOR MAXI/450	2		

FRAME



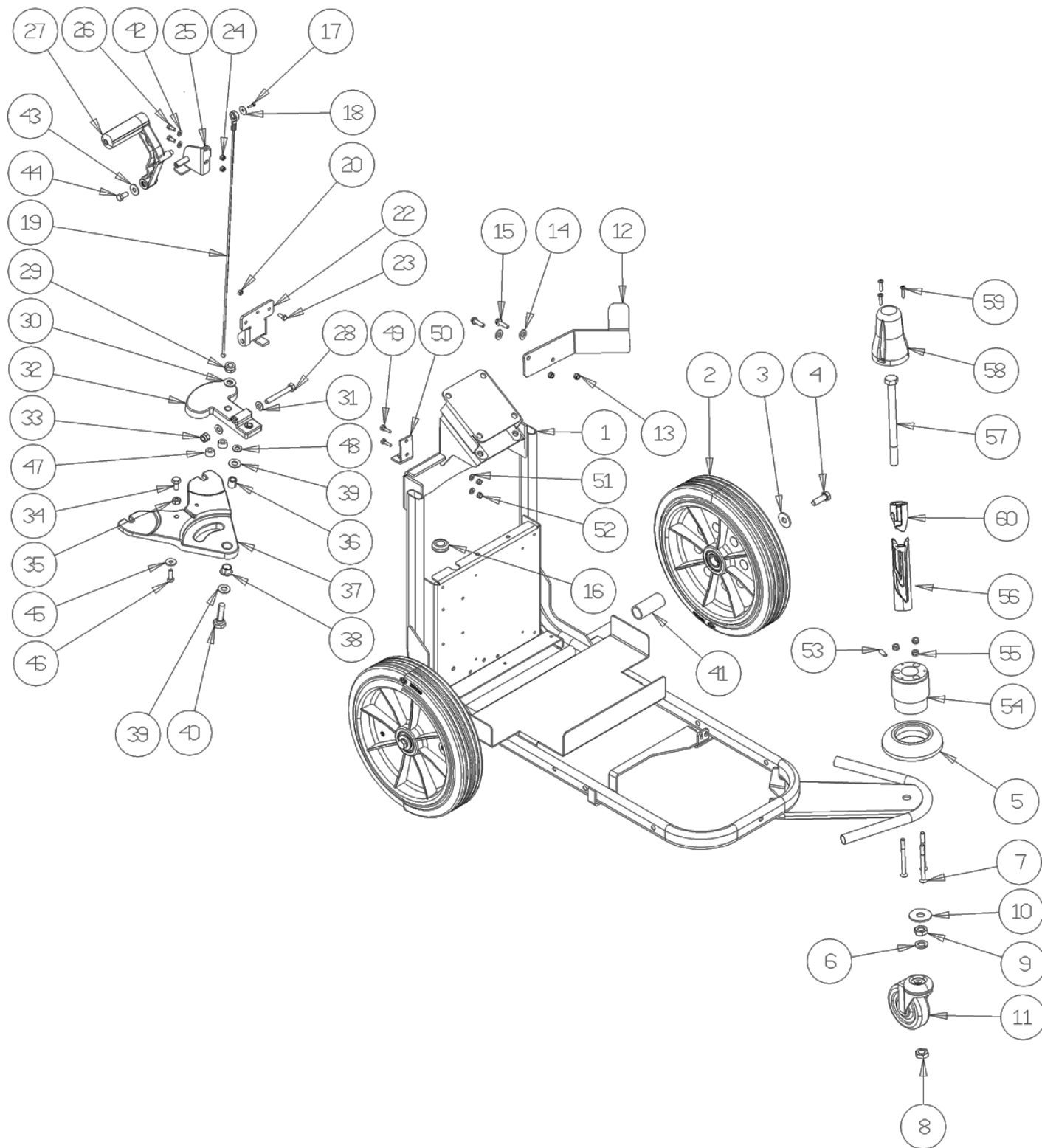
Ref.	Part N.	Alt. Part N.	Description	Quantity	Validity From	Validity To
1	3LAFN07963		FRAME 450	1		
2	3RTRT00537		WHEEL GRAY d.250 MINI-MAXI-450	2		
3	3VTRS00512		WASHER D.8X24 Zn.	2		
4	3VTVT01110		SCREW HH 8X16 UNI5739	2		
5	3MPVR07134		WHEEL	1		
6	3VTRS15919		WASHER D.12 SPLIT UNI 1751 SS	1		
7	3VTVT01160		SCREW M6x65	3		
8	3VTDD27918		NUT M12 UNI 5588 SS	1		
9	3VTDD00502		NUT M12	1		
10	3VTRS09142		WASHER UNI 6593 12X36X2,5	1		
11	3RTRT00550		WHEEL	1		19/02/2017
11	3RTRT00633		WHEEL	1	2/20/2017	
12	3LAFN08091		BRACKET	1		
13	3VTDD01694		NUT M6 SS	2		
14	3VTRS00245		WASHER D.6 UNI 6592 SS	2		
15	3VTVT15143		SCREW HH 6X16 UNI5739	2		
16	3MEVR00686		GROMMET D.15.5	1		17/11/2017
17	3VTVT00800		SCREW SHCS 4X12 Zn	1		21/09/2014
18	3VTRS00251		WASHER 4-16 SS A2	1		21/09/2014
19	3CMCV00459		CABLE, SQUEEGEE LIFT 450	1		21/09/2014
19	3CMCV00364		CABLE SQUEEGEE LIFT 450	1	9/22/2014	
20	3VTDD15517		NUT M5 SS	3		
22	3LAFN07944		COUPLING SQUEEGEE	1		15/09/2013
22	3LAFN08106		COUPLING SQUEEGEE	1	9/16/2013	
23	3VTVT01300		SCREW HH M5X12 SS	3		
24	3VTDD04369		NUT M4 NYL UNI 7473	2		21/09/2014
25	3LAFN08085		BRACKET	1		21/09/2014
26	3VTVT29884		SCREW HH UNI 5739 4X16 Zn	2		21/09/2014
27	3MPVR49942		LEVER SQUEEGEE LIFT	1		21/09/2014

FRAME



Ref.	Part N.	Alt. Part N.	Description	Quantity	Validity From	Validity To
28	3VTVT00757		SCREW	1		
29	3VTDD10310		NUT NYL M10 SS DIN 985	1		
30	3VTRS15523		WASHER D.10 X21 SS UNI 6592	1		
31	3VTRS13947		WASHER D.8 SS UNI 6592	1		
32	3MFVR00223		SUPPORT SQUEEGEE 450	1		
33	3VTDD01695		NUT M8 SS	1		
34	3VTVT15141		SCREW HH M 6X 25 UNI 5739 SS	1		
35	3VTDD15520		NUT M6 A2 UNI 5588 SS	1		
36	3LAFN08067		BUSHING 450	1		
37	3MFVR00224		SQUEEGEE SUPPORT 450	1		
38	3CUVR00193		BUSHING	1		
39	3VTRS15523		WASHER D.10 X21 SS UNI 6592	2		
40	3VTVT01169		SCREW HH M10X45	1		
41	3LAFN08093		BUSHING	2		
42	3VTRS05904		WASHER UNI 6592 4X16 Zn	2		21/09/2014
43	3VTRS15958		WASHER UNI 6592 5X15X1,5 Zn	1		21/09/2014
44	3VTVT62916		SCREW HH M5X12 ZN UNI 5739-8.8	1		21/09/2014
45	3VTRS16937		WASHER 6x24 SS UNI 6593	1		
46	3VTVT00881		SCREW TRILOBATE M4x6 SS	1	9/18/2014	
46	3VTVT21887		SCREW Ph Dr T/S 4X10 8112	1		17/09/2014
47	3GUGO00234		GASKET 3/4"	1		04/07/2013
47	3GUGO00321		PIN, SQUEEGEE ARTICULATION	2	7/5/2013	
48	3MLML34767		SPRING D.10.2 X20	1		
49	3VTVT07725		SCREW HH 5X16 UNI5739 SS	2	9/22/2014	
50	3LAFN09365		BRACKET, SQUEEGEE CABLE 450	1	9/22/2014	
51	3VTRS00516		WASHER D.5 SS	2	9/22/2014	
52	3VTDD01693		NUT M5 SS	2	9/22/2014	
53	3VTVT01382		PIN	1		
54	3MPVR07136		BUSHING	1		

FRAME

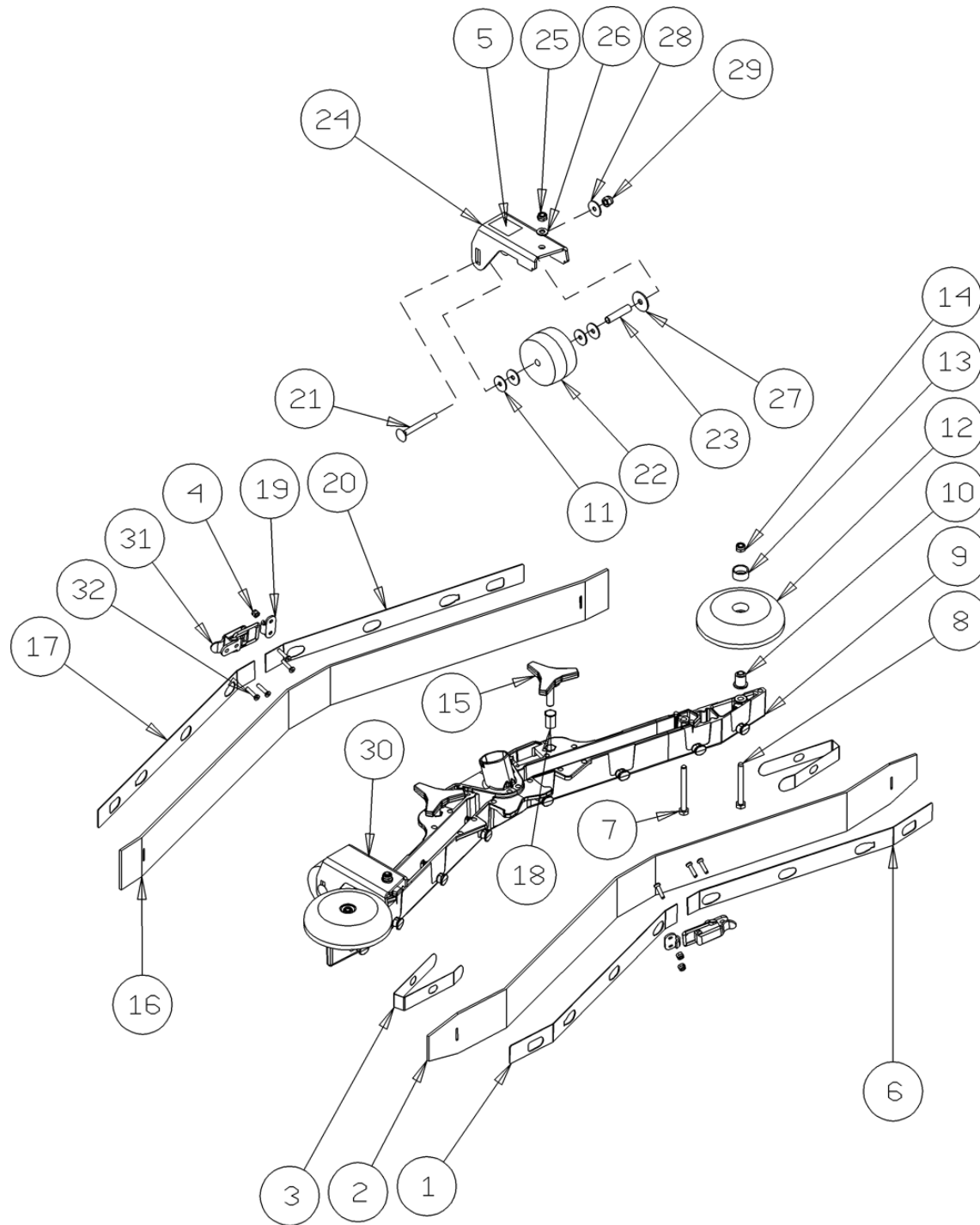


Ref.	Part N.	Alt. Part N.	Description	Quantity	Validity From	Validity To
55	3VTDD01694		NUT M6 SS	3		
56	3MPVR07135		PIN	1		26/04/2015
56	3MPVR06462	3KTRIO2295	PIN	1	4/27/2015	
57	3VTVT01384		SCREW M12X160	1		2015
57	3VTVT01171		SCREW M12X170 UNI 5737	1	2016	
58	3MPVR07133		COVER	1		
59	3VTVT40035		SCREW Ph Dr T/S 4,5X20	3		
60	3MPVR06461	3KTRIO2295	PIN	1	4/27/2015	

KITS

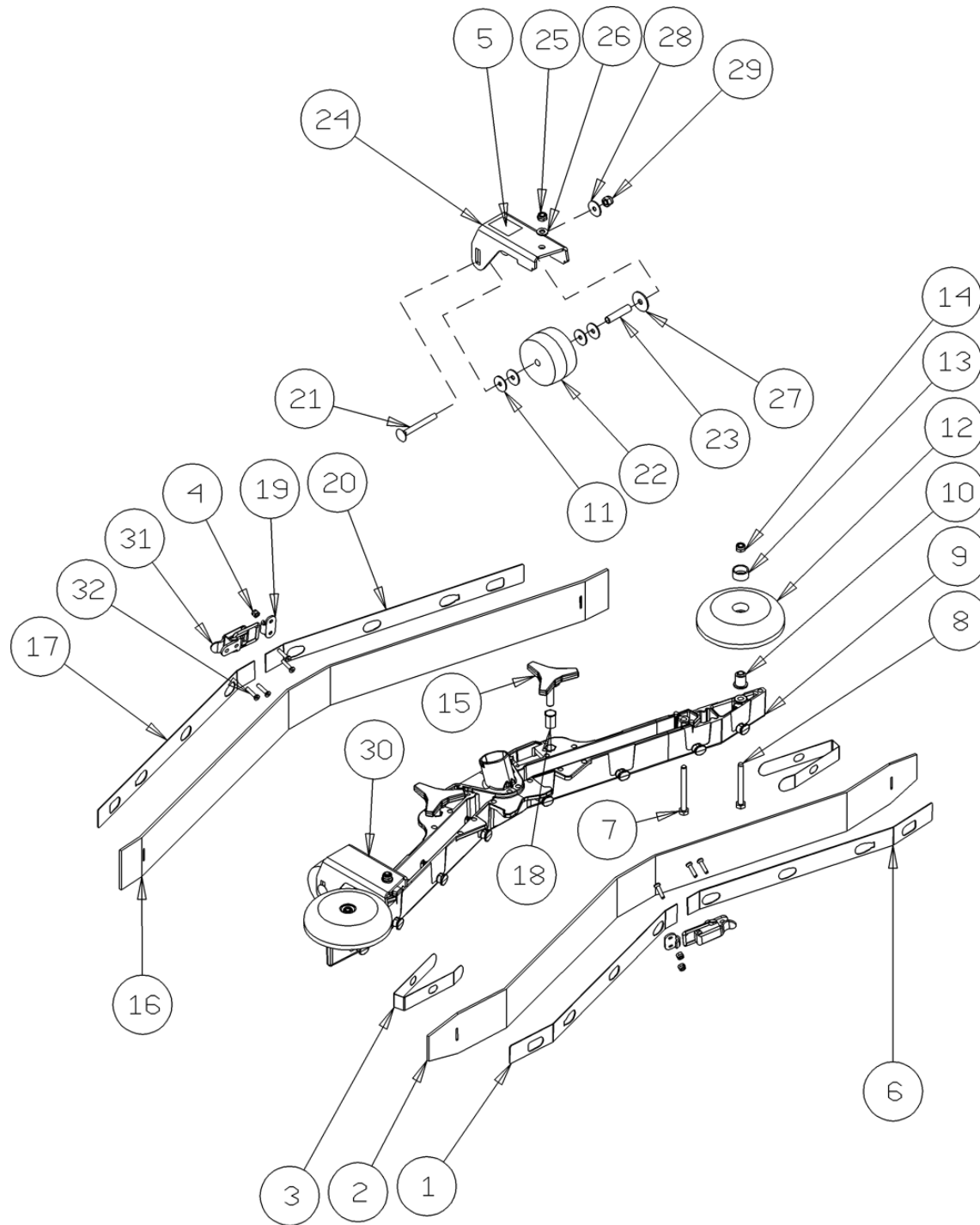
Ref.	Part N.	Alt. Part N.	Description	Quantity	Validity From	Validity To
5 to 11, 53 to 60	3KTRIO2278		TRANSPORT WHEEL FOR MAXI-450			
56, 60	3KTRIO2295		PINS (MPVR06461 & MPVR06462)			

SQUEEGEE



Ref.	Part N.	Alt. Part N.	Description	Quantity	Validity From	Validity To
1	3LAFN09275	3KTRIO2193	BLADE HOLDER FRONT RIGHT XS	1		
2	3MPVR06287		BLADE XS 3MM LATEX FRONT	1		
OR	3MPVR06285		BLADE XS 3MM RUBBER FRONT			
OR	3MPVR06289		FRONT SQUEEGEE BLADE OIL RESISTANT FOR 450			
3	3MPVR05897		CLOSURE SMALL	2		
4	3VTDD00210		NUT M3 NYL DIN 985	8		
5	3ETET01817		LABEL	2		
6	3LAFN09276	3KTRIO2193	BLADE HOLDER FRONT LEFT XS	1		
7	3VTVT17342		SCREW HH M6X60 UNI 5739 SS	2		
8	3VTVT00655		SCREW HH M.6-55	2		
9	3MFVR00143	3KTRIO2051	BODY KIT SQUEEGEE	1		
10	3LAFN04100		SPACER FOR BUMPER WHEEL	2		
11	3VTRS00274		WASHER NYLON 66 D.8,4-17	4		
12	3MPVR06105		WHEEL BUMPER D.80 H=22	2		
13	3MPVR49229		BUSHING	2		
14	3VTDD01694		NUT M6 SS	2		
15	3MPVR06004		KNOB 8X25	2		03/04/2018
15	3MPVR10569		SMALL KNOB YELLOW M8X45 H.10	2	4/4/2018	
16	3MPVR06288		BLADE XS 3MM LATEX REAR	1		
OR	3MPVR06286		BLADE XS 3MM RUBBER REAR			
OR	3MPVR06290		REAR SQUEEGEE BLADE OIL RESISTANT FOR 450	1		
17	3LAFN09277	3KTRIO2194	BLADE HOLDER REAR RIGHT XS	1		
18	3VTVR00567		INSERT	2		
19	3LAFN09301		RETAINER HOOK	2		
20	3LAFN09278	3KTRIO2194	BLADE HOLDER REAR LEFT XS	1		
21	3VTVT01206		SCREW M6X55	2		
22	3RTRT00398		WHEEL GREY D.60 HOLE 8	2		
23	3LAFN07589		SPACER	2		
24	3LAFN09217		SUPPORT LEFT SIDE	1		

SQUEEGEE



Ref.	Part N.	Alt. Part N.	Description	Quantity	Validity From	Validity To
25	3VTDD01694		NUT M6 SS	2		
26	3VTRS00245		WASHER D.6 UNI 6592 SS	2		
27	3VTRS16937		WASHER 6x24 SS UNI 6593	2		
28	3VTRS13945		WASHER D. 6X18 SS UNI 6593	2		
29	3VTDD15518		NUT M6 SS	2		
30	3LAFN09216		SUPPORT RIGHT SIDE	1		
31	3LAFN09302		RETAINER CLOSURE	2		
32	3VTVT01070		SCREW CSK M3X8	8		

KITS

Ref.	Part N.	Alt. Part N.	Description	Quantity	Validity From	Validity To
All	3PMVR01534		COMPLETE SQUEEGEE ASSY XS			
1,6,4,19, 20,31,32	3KTRI02193		BLADE LATCH KIT FOR XS FRONT SQUE.			
17,20,4,19, 20,31,32	3KTRI02194		BLADE LATCH KIT FOR XS REAR SQUE.			

Dustbane Customer Support

Mailing Address

1000 Last Mile Dr.
Ottawa, ON K1G 6Y1
Canada

Phone

1-800-387-8226

Email

General Inquiries: info@dustbane.ca
Technical Inquiries: techsupport@dustbane.ca

Website

www.dustbane.ca

Support à la clientèle Dustbane

Adresse postale

1000, promenade Last Mile
Ottawa, ON K1G 6Y1
Canada

Téléphone

1-800-387-8226

Courriel

Demandes générales : info@dustbane.ca
Demandes techniques : techsupport@dustbane.ca

Site web

www.dustbane.ca